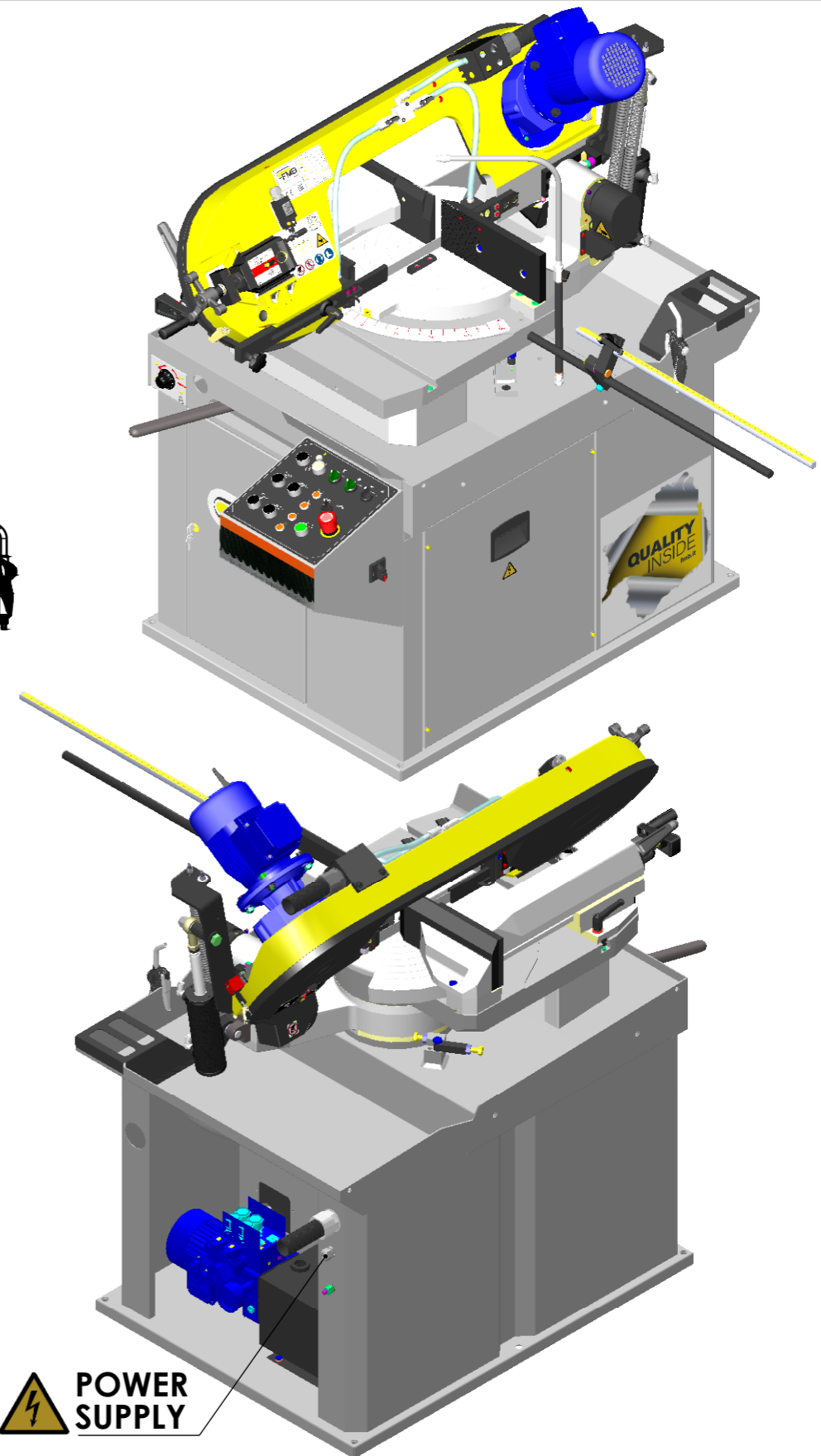
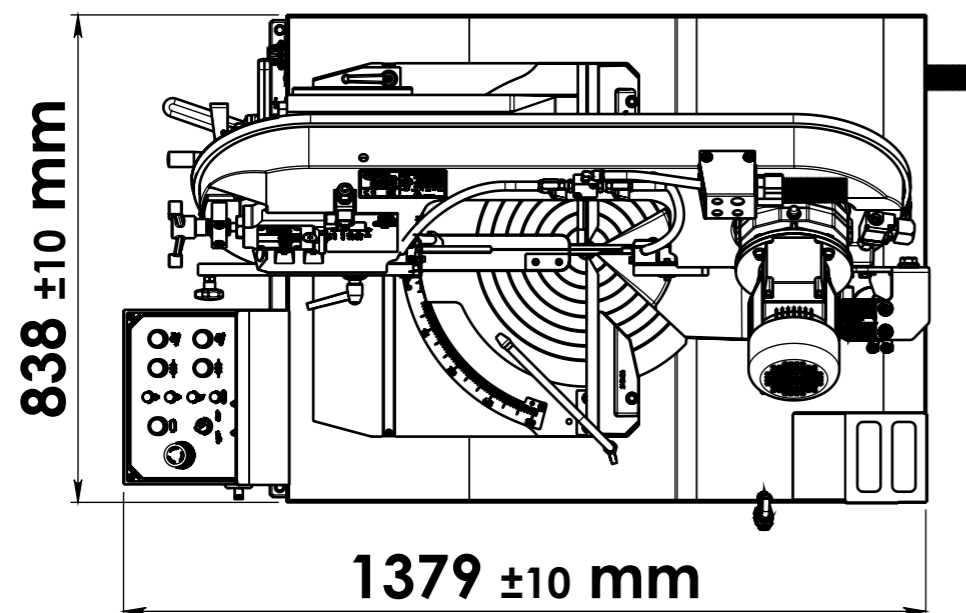
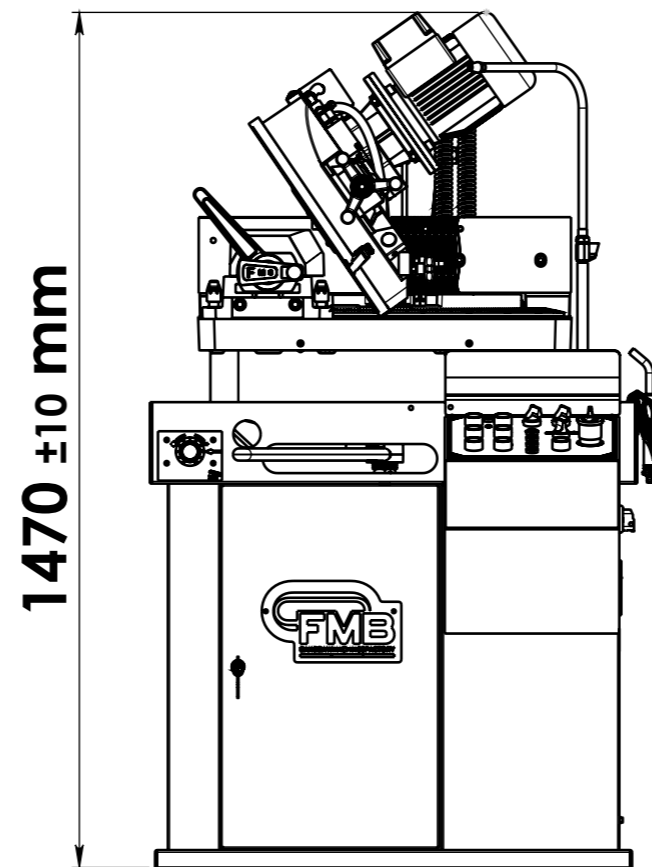
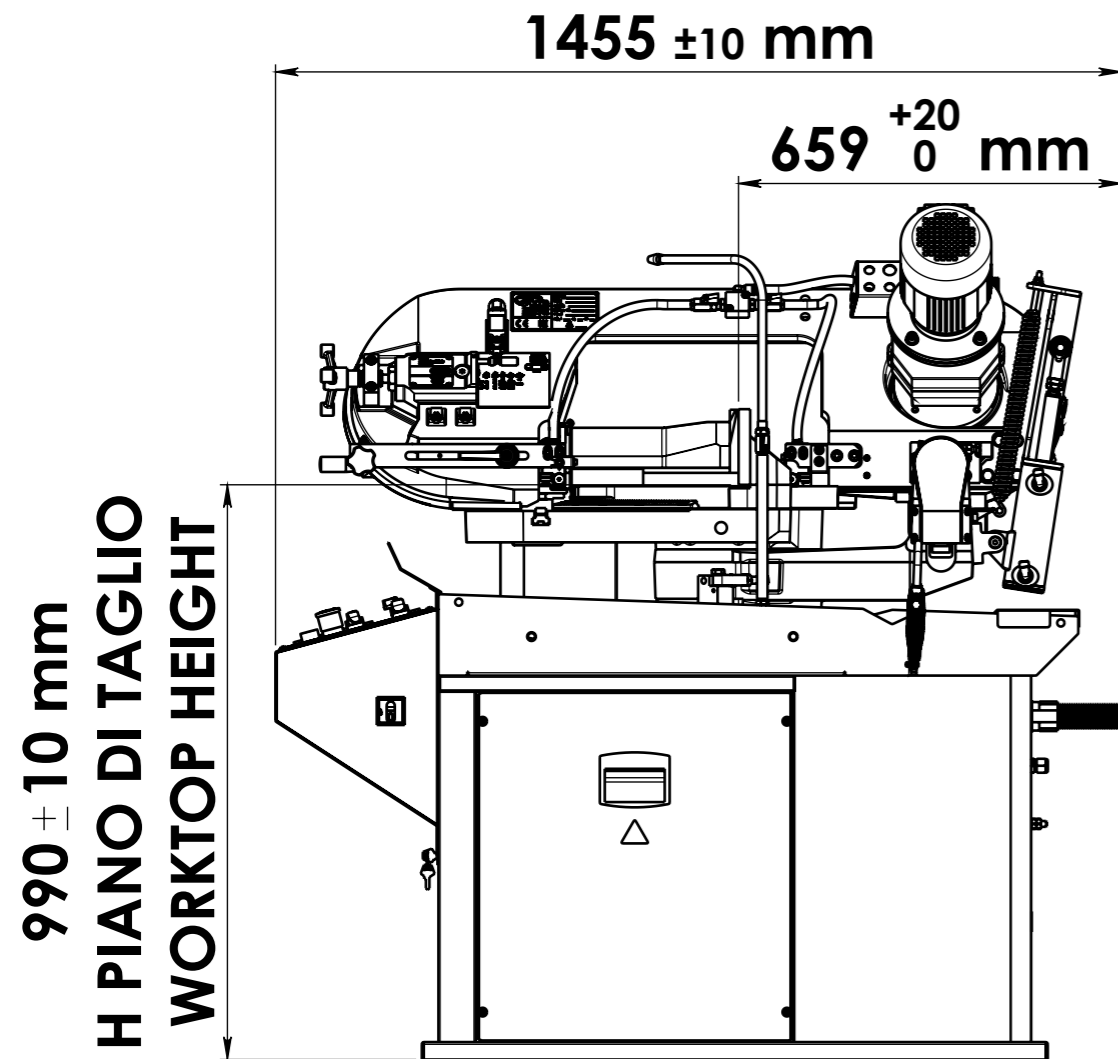



LAYOUT CALIPSO



 POWER SUPPLY

	DATE	DESCRIPTION		
	11-10-2022	CALIPSO V004		
DRAWN BY	-	SCALE	SIZE	SHEET 1 OF 1
		1:13	A3	

THE INFORMATION IN THIS DRAWING IS THE SOLE PROPERTY OF F.M.B. S.r.l. ANY REPRODUCTION IN PART OR AS A WHOLE WITHOUT THE PERMISSION OF F.M.B. S.r.l IS PROHIBITED.