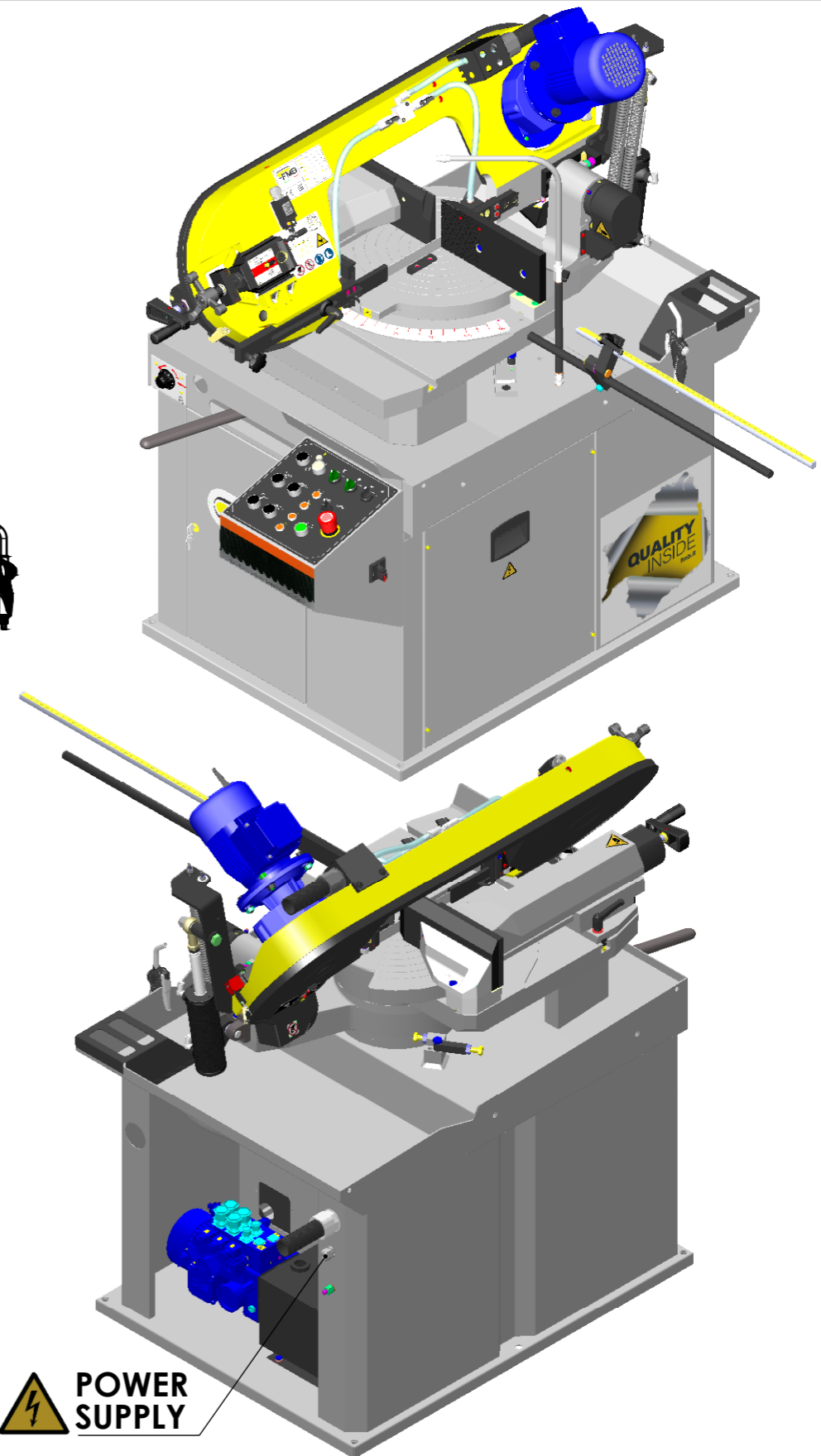
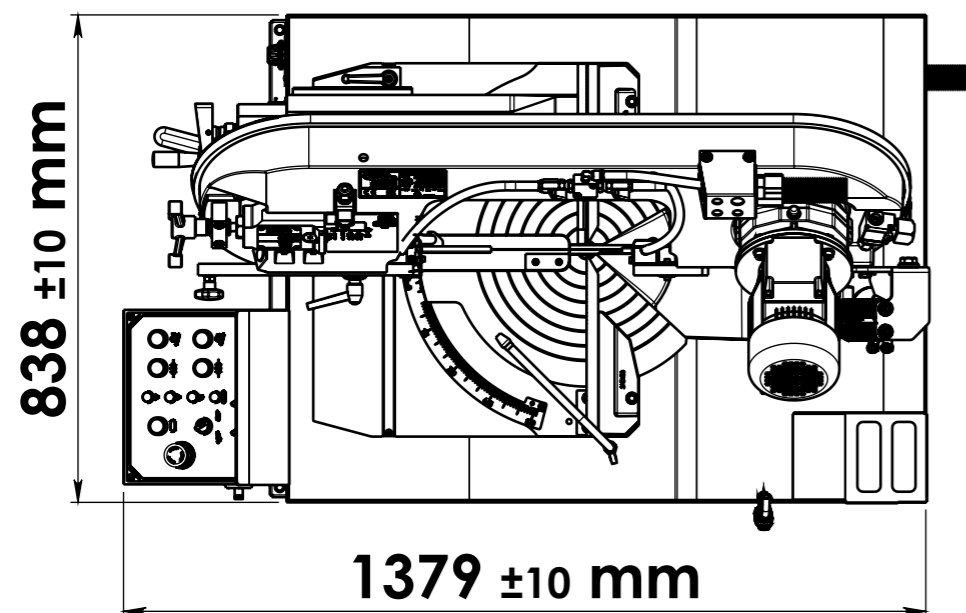
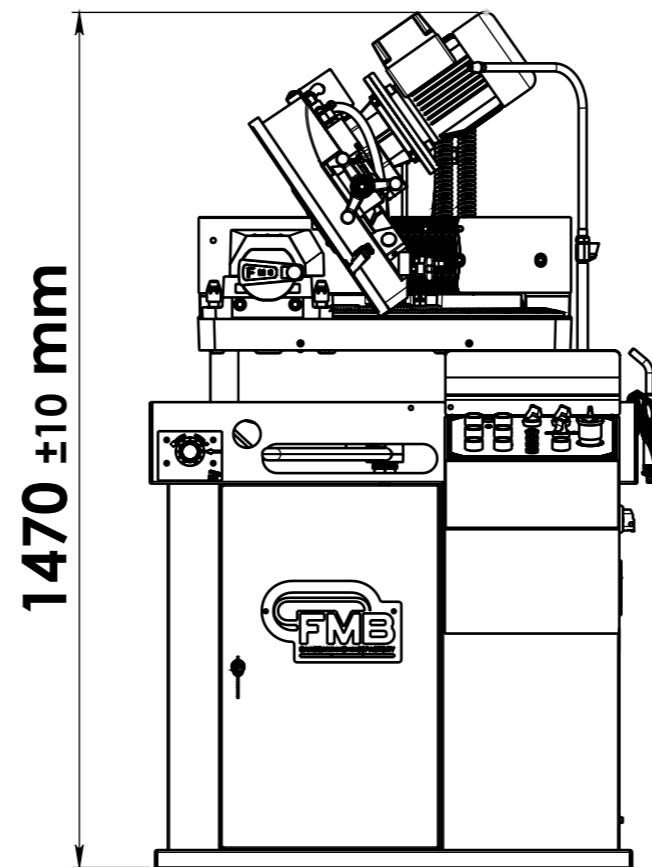
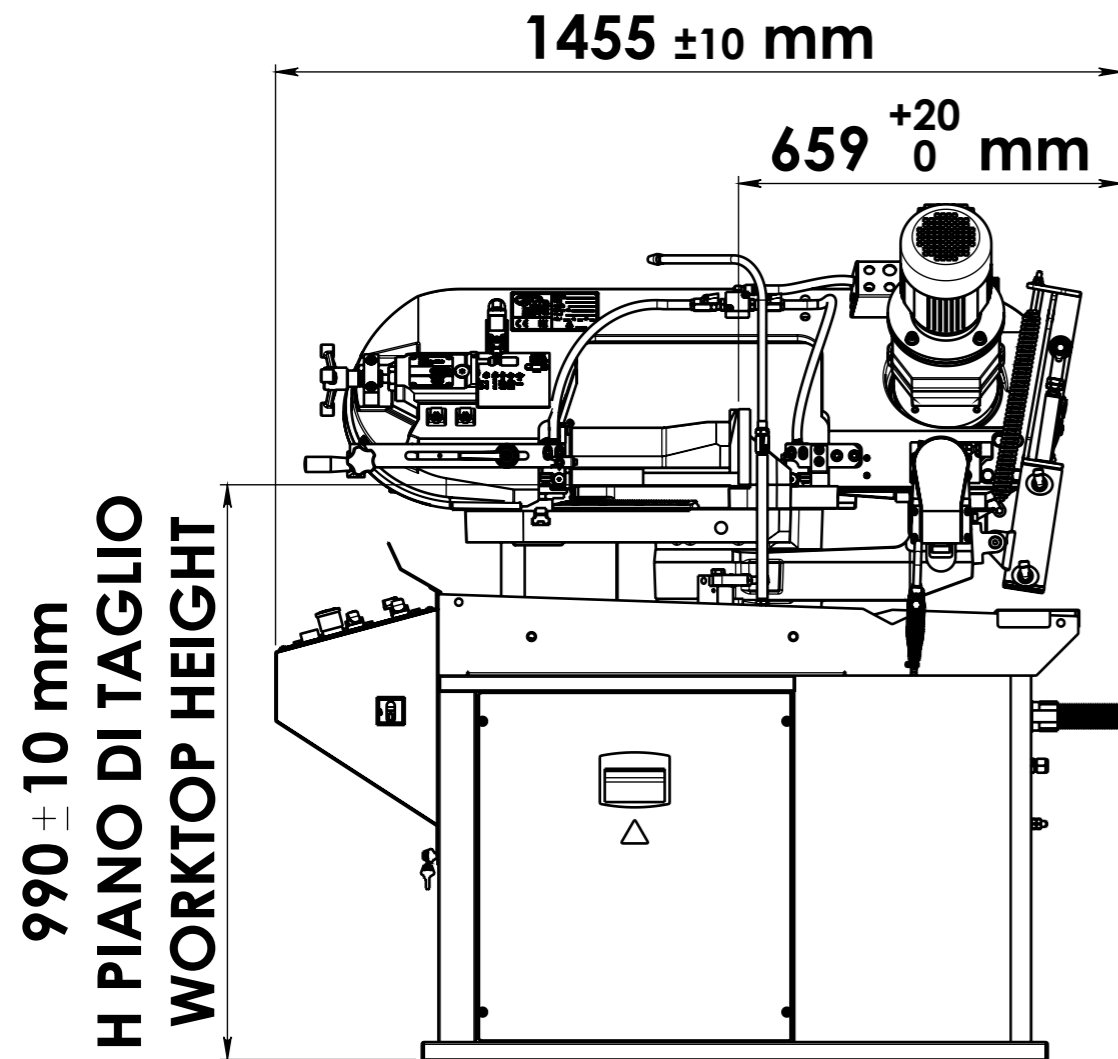


# LAYOUT OMEGA



	DATE	DESCRIPTION		
	11-10-2022	<b>OMEGA V004</b>		
	DRAWN BY	SCALE	SIZE	SHEET 1 OF 1
	-	1:13	A3	
<small>THE INFORMATION IN THIS DRAWING IS THE SOLE PROPERTY OF F.M.B. Srl. ANY REPRODUCTION IN PART OF AS A WHOLE WITHOUT THE PERMISSION OF F.M.B. Srl IS PROHIBITED.</small>				